

MICRO SWITCH

A DIVISION OF MINNEAPOLIS-HONEYWELL REGULATOR COMPANY
FREEPORT, ILLINOIS

FED. MFR. CODE 91929

SWITCH - BASIC

CATALOG LISTING
BZ-2RW82

DRAWING NUMBER **BZ-2RW82** PAGE 1 OF 1

REPLACES

RELEASE NO.

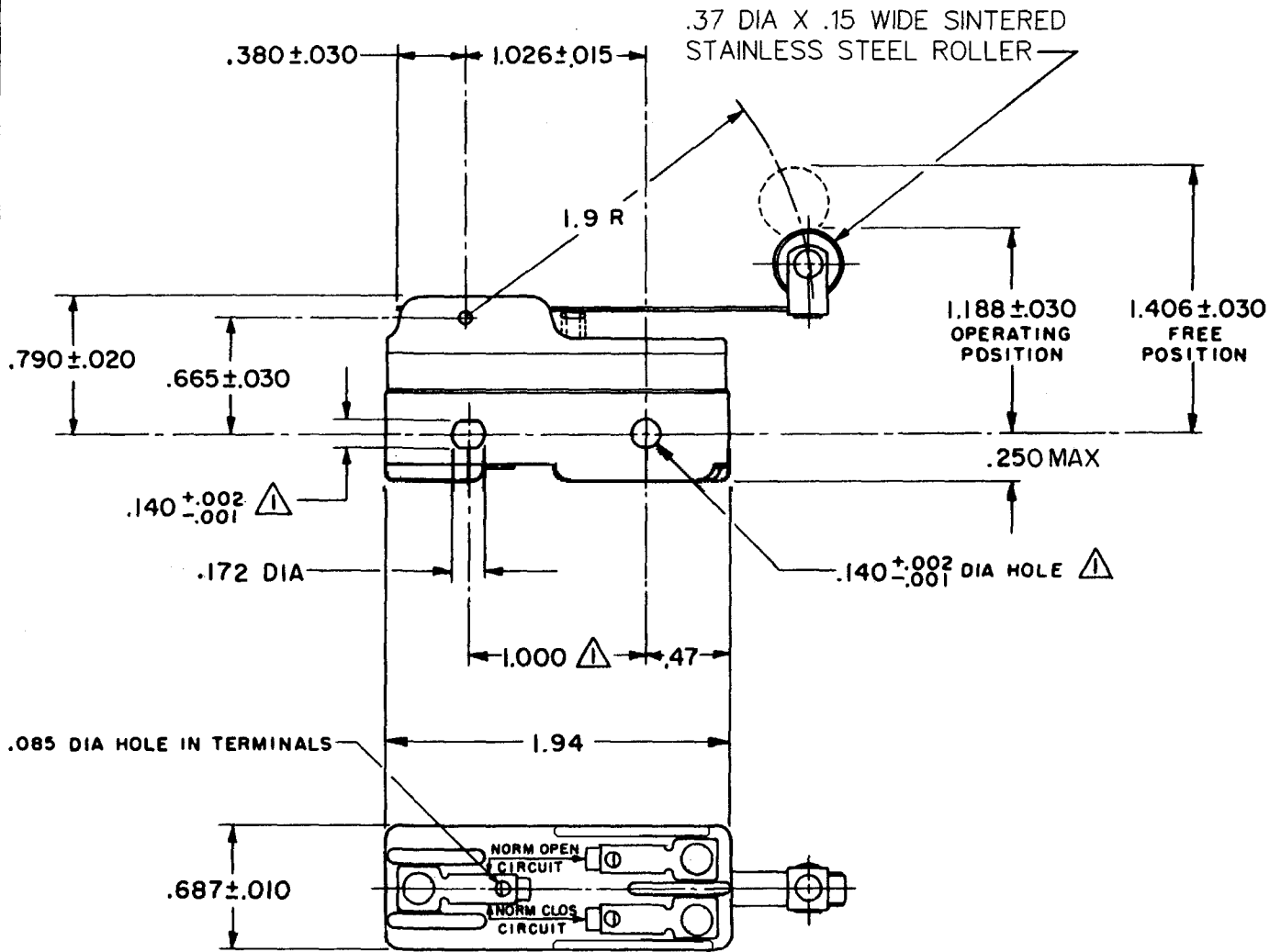
CHECK

REVISIONS

| | | | |
|---|------------|-----|-----------|
| A | CO-16736 | GCH | 13 MAR 62 |
| B | C034306 | DJW | 17 JUL 75 |
| C | C046304 | JAP | 13 OCT 79 |
| D | CO-58037 | SMA | 1 OCT 85 |
| E | CO-75204B | KDR | 1 FEB 94 |
| F | CO-78874 | DLT | 18 NOV 94 |
| G | C093346 | DLT | 11 SEP 98 |
| H | CO-94212-J | JJA | 5 OCT 99 |

CHECK DRAW 28 MAR 62

FORMTEK
FC-80375
DRAWN
GCH
13 MAR 62



NOTE
 MOUNTING HOLES WILL ACCEPT PINS OR SCREWS OF .139 MAX DIA ON 1.000 ±.002 CENTERS

THIS DRAWING COVERS A PROPRIETARY ITEM AND IS THE PROPERTY OF MICRO SWITCH, A DIVISION OF MINNEAPOLIS-HONEYWELL REGULATOR CO. THIS DRAWING IS NOT TO BE COPIED OR USED WITHOUT THE APPROVAL OF MICRO SWITCH.

| CHARACTERISTICS | |
|---------------------|--------------------|
| OPERATING FORCE | ----- 3 1/2 OZ MAX |
| RELEASE FORCE | ----- 3/4 OZ MIN |
| DIFFERENTIAL TRAVEL | ----- .004 - .040 |
| OVERTRAVEL | ----- .156 MIN |

| ELECTRICAL DATA | |
|---------------------------------------|--------------------------------|
| CONTACT ARRANGEMENT S P D T | |
| UNDERWRITERS' LAB. INC. LISTED RATING | |
| -L96- | 15A-125, 250, OR 480 VAC |
| | 1/2 A-125 VDC; 1/4 A-250 VDC |
| | 1/8 HP-125 VAC; 1/4 HP-250 VAC |
| -L288- | |
| -L299- | |
| -L306- | |
| 16A 250V ~ T85 5E4 | |

| SCALE FULL | |
|---|-------|
| DO NOT SCALE PRINT | |
| UNLESS OTHERWISE SPECIFIED DIMENSIONS ARE IN INCHES | |
| TOLERANCES ARE: | |
| ONE PLACE (.0) | ±.030 |
| TWO PLACE (.00) | ±.015 |
| THREE PLACE (.000) | ±.005 |
| ANGLES | ± |
| WEIGHT .063 LB | |